



# AUTOCLEAR Mailguard®

## Simple Compact X-ray



Our improved **Mailguard®** letter and parcel X-ray security screening system is designed for confined spaces, tight corners, placement against walls, for desktop operation or on our available cart. The **Mailguard®** measures 22.5" wide x 23.5" deep x 30.5" high (57.2 cm x 59.7 cm x 77.5 cm).

The **Mailguard®** is ideally suited for the rapid detection of contraband materials in mail, briefcases, backpacks, clothing, electronic devices, purses, cameras, shoes, mailbags, bins, coats, bedding, or parcels, in:

**Mailrooms • Corporate Offices**  
**Embassies • Prisons**  
**Executive Mail (Office or Home)**  
**Banks • Hotels • Courtrooms**  
**Quality Control • Police**  
**Government Offices**

or anywhere that suspect material must be screened and detected.

### FEATURES:

- Higher penetrating and more efficient, proven 90kV X-ray source, designed and made in America.
- Extra fine grain resolution, with greater brightness, for a very sharp image.
- Larger parcels, higher throughput: compartment size - 21" x 18" x 14" (53.3cm x 45.7cm x 35.6cm) - than other similar models, at less cost.
- The **Mailguard®** operates more simply than a small office copier. Through advanced design, the **Mailguard®** (excluding available table or cart) is only 30.5" (77.5 cm) high.
- Double the penetration and throughput of other cabinet X-ray systems. Proven, proprietary double interlocking door and shielding.
- Examines over 400 batches per hour, 200-500 standard envelopes per batch. Takes parcels up to 21" x 18" x 14" (53.3cm x 45.7cm x 35.6cm).
- Safer than other flourosopes, due to unique double interlocking, double-thick viewing port and lower operating mA power.
- Very easy to install, operate and maintain.
- Often used for (highly cost effective) quality assurance, forensics and non-destructive testing, as well as security.
- No moving parts. Thousands in government use worldwide, with worldwide support.

*70 years of leadership in checkpoint detection & training*

# Mailguard® Simple, Compact X-ray Specifications

## X-ray Generator Capability

Rated 90 kV constant potential peak, high reliability, high frequency X-ray generator. Not film-safe.  
If film-safety, color monitor or full digital or color functionality is required,  
call for **AUTOCLEAR** Desktop 3920 or externally conveyORIZED 4025, or larger model.  
Current: 1 mA maximum. Cooling: Sealed oil bath, air cooled.

## Compartment Size

18" (45.7 cm) Wide  
21" (53.3 cm) Deep  
14" (35.6 cm) High

## Viewing Method

Direct view

## Fluoroscopic Inspection Screen Size

17" (43.2 cm) x 17" (43.2 cm)  
The full screen area is imaged, but thick parcels may need to be viewed twice.

## Penetration

11mm of steel equivalency.

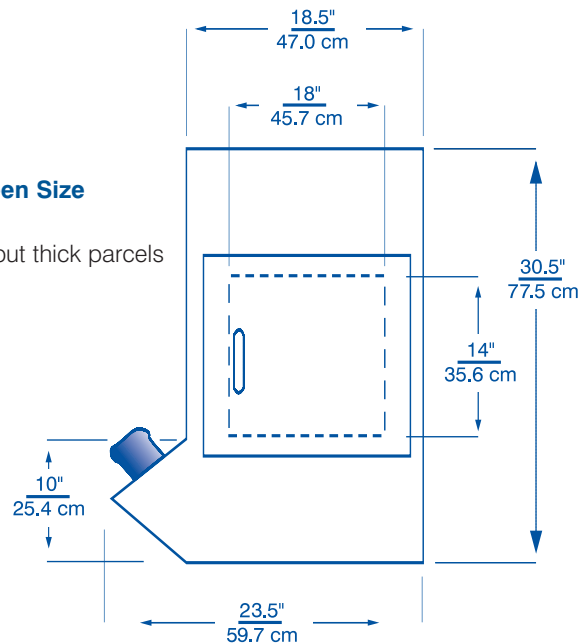
## Resolution

40 AWG Copper wire

## Input Voltage and

### Power Requirements

110-130 volt or 210-250 volt,  
(Specify voltage when ordering)  
Single phase AC,  
50/60 Hertz, under 250 watts

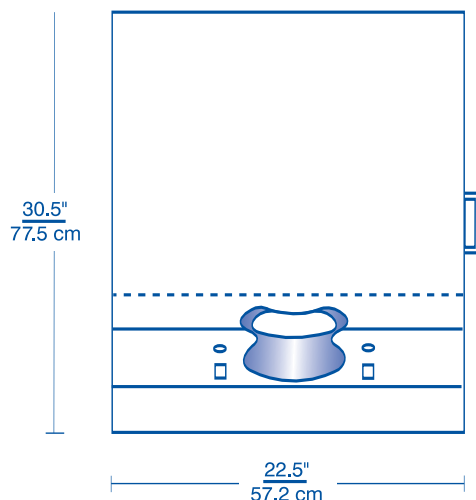


## Overall Size and Weight

30.5" (77.5 cm) High  
22.5" (57.2 cm) Wide  
23.5" (59.7 cm) Deep  
350 lbs (159 kg)  
400 lbs (182 kg) crated

## Radiation Safety

Dual Safety interlocks  
Panel operating switch  
Double shielded viewing glass  
Lockable power switch  
Meets or exceeds Federal  
Standard 21 CFR 1020.40 and  
all applicable International Radiation  
and CE Marking Standards.



## Options

- Heavy-duty cart (recommended)
- Rental or lease
- Extended warranty
- CE marking
- Custom colors
- UPS



EB elettronica srl - div. Sicurezza  
via del Lavoro, 4 - 48015 Cervia RA

Nr verde 800 901098 - tel +39 0544 1888000 - fax +39 0544 965036

sicurezza@elettronica.it- www.elettronica.it