

AUTOCLEAR 7555

High Capacity Larger Parcel X-ray for Explosives, Weapons & Narcotics



RealClear® reveals components of a gun, knife and bomb in real time, without lags and delays.



Available operator table and dual or LCD monitors (one 19" CRT is standard).

Features

The AUTOCLEAR® 7555 (featuring a 75.0 cm wide x 55.0 cm high or 29.6" wide x 21.7" high tunnel opening) is a large capacity, high penetration, heavy-duty, conveyORIZED X-ray scanner designed to inspect carry-on and checked bags, large mail trays and boxes. Ideal for use at:

**Airports • Seaports • Courts
Customs • Corporate Facilities
Government Buildings • Postal
Checkpoints • Loading Docks
Mailrooms • Corrections Facilities
Nuclear • Access Control
Special Events • Hospitals
Rail or Bus Stations
Police Stations • Military Bases**

- ➔ autoTracking® guided conveyor belt system never needs adjustment, lowering operating costs.
- ➔ autoSensing® eliminates the need for troublesome photosensors or footpad switch. Assures 100% screening of thin blades or plastique in magazines or courier envelopes, or of bag already in tunnel at start-up.
- ➔ RealClear® function reveals components of dense items in realtime without lags or delays.
- ➔ Narrower footprint enhances security and conveniently fits in most elevators and tight spaces; conveyor end folds up for transport.
- ➔ Features Pentium 4, 17" monitor, RealClear®, autoDensAlert®, autoOutline®, autoSensing®, autoCal®, 64X Smart Zoom, Lighten, Help, DensityScan, and Low Density Stripping, among other features.
- ➔ Compact version (above) or airport version with extended conveyor(s).
- ➔ Multi-Energy Color option with Organic/Inorganic Stripping is popular. TIP, Training and Image Archiving also available. autoMatalert®, option highlights suspect materials using atomic number and density.
- ➔ Interactive training and highly responsive local service. Engineered, made and rigorously tested in the USA to ISO 9001 and regulatory standards

70 years of leadership in checkpoint detection & training

Model 7555 X-ray Specifications

Overall Dimensions: Inspection Capabilities

Tunnel Size:	199.1 cm (78.4") L x 95.3 cm (37.5") W x 139.5 cm (54.9") H
Material Penetration:	29.6" wide (75 cm)
Contrast Sensitivity:	21.7" high (55 cm)
Resolution:	L-shaped detector for 100% package screening.
Processing:	28-29 mm steel
Conveyor Speed:	Over 2 million color tones standard.
Pulling Weight:	40 AWG wire.
autoTracking®:	32-bit adaptive image processing with minimum 128 Mbytes memory; 2.4+ GHz processor.
Film Safety:	48 feet per minute; 24 cm per second. Standard conveyor pictured on reverse. Extended conveyor length, Model 7555E (variable length entrance and exit bed). Fully reversible. Toggles for easy belt changeover.
*Full autoSensing® without photosensors, moving parts, or footpad.	150 kg (331 lbs) (Higher pulling weights available). Belt guaranteed to autoTrack for life. Guaranteed for high-speed films up to ISO 1600 (33 DIN). Reduces downtime and assures all magazines, envelopes or items are scanned, no matter how thin, or of bag already in tunnel at start-up. Enhances radiation safety.

X-ray Generator

X-ray tube head:	Self-contained, shielded tank
High voltage rating:	160 kV, 140 kV Operating Voltage
Duty cycle:	100% with sealed oil bath cooling
Beam orientation:	Diagonal (80° beam divergence)
Dose rate per exam:	0.1 mR. Lower doses available.

X-ray Detectors

Surface mounted, multilayer, fully integrated, high frequency, solid state detectors using high speed processors, and Pentium 4 image processing with Single Energy or optional Multi-Energy (M) Color.

Video

Standard with color 17" SVGA monitor. High resolution, flicker-free, .21 dot pitch, low rad. monitor, 1280 x 1024 video card. Single energy color is based on object density. Multi-Energy color option available with available second monitor or flat screen or larger monitor(s), displays organics in orange and inorganics in blue, both overlapping in green and very dense objects in black, and includes Organic and Inorganic Stripping.

Standard Features

- Multi-Energy organic and inorganic color & stripping
- RealClear®
- autoDensAlert®
- autoTracking®
- autoSensing®
- autoOutline®
- autoCal®
- Dark & Light enhance
- DensityScan
- Color; Reverse B/W
- High/Low Density & Stripping
- High density
- Help
- Fast (25 second) initial warm-up
- Fully functional, robust, low profile
- Reversible conveyor direction

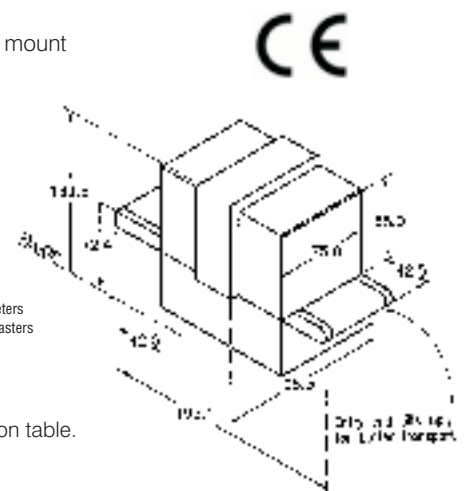
Options

- Multi-Energy organic and inorganic color & stripping
- autoMatalert®
- Threat Image Projection (TIP)
- Rollerbed(s) or conveyor extensions
- Tropical Humidity Kit
- Image Archiving
- CE marking or UK approved
- Power conditioner, or UPS
- Table or locking monitor hood
- Locking metal keypad cover
- kV, mA meter or item counter
- LCD, dual or larger monitor(s)
- Clear Lexan conveyor cover
- Footpad or optical on/off
- Variable height keypad mount
- Remote operation, printer or VCR cable
- Built-in Training
- Rentals or leases
- autoNet
- TipNet

Physical Details

Dimensions:	See drawing
Weight:	1000 lbs (454 kg) 1300 lbs (589kg) crated
Construction:	Unibody heavy gauge, epoxy painted steel construction with stainless steel and aluminum trim and accessories. Non-marring casters and leveling jackscrews. Corrosion-resistant command center keypad mounted on side or available on table.
Environmental Conditions:	Temperature range: 32° - 104°F, (0° - 40°C) Humidity 20% - 95%, non-condensing. Storage to 65°C (149°F)
Electrical Power Requirements:	Consumption: < .8 kVA, 100, 120 volts AC ± 10% (<8 amps) 200, 220, 230, 240, 250 volts AC ± 10% (<4 amps). All at 50 or 60 Hz.

Dimensions are in centimeters
Note: Non-marring casters



EB elettronica srl - div. Sicurezza
via del Lavoro, 4 - 48015 Cervia RA

Nr verde 800 901098 - tel +39 0544 1888000 - fax +39 0544 965036
sicurezza@elettronica.it - www.elettronica.it